

# PRELIMINARY DATA SHEET: CKRF3003MM66



## GNSS LOW NOISE AMPLIFIER

### Description :

The CKRF3003MM66 is a pHEMT GaAs Low noise amplifier for GNSS (Global Navigation Satellite Systems). The device has stand-by function to save the supply current and on chip ESD protection circuit.

### Features :

- Operating frequencies : 1550 – 1615 MHz
- High Gain : 17.0 dB TYP.  
@Vdd=1.8/ 2.85V, Vctl=1.8/ 2.85V, f=1575MHz
- Low noise figure : 0.60 dB TYP.  
@Vdd=1.8/ 2.85V, Vctl=1.8/ 2.85V, f=1575MHz
- High IIP3 : +4 dBm TYP.  
@Vdd=1.8/ 2.85V, Vctl=1.8/ 2.85V,  
f=1575+1576MHz

### Applications :

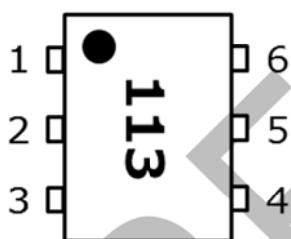
- GNSS Applications  
(GPS, Galileo, GLONASS and BeiDou etc.)

### Package :

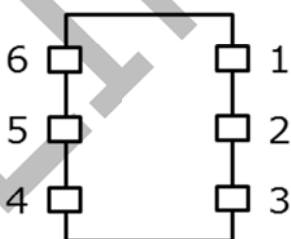
- 6-pin lead-less mini mold package  
(1.5mm x 1.1mm x 0.55mm)

### Pin Configuration And Internal Block Diagram :

(Top View)



(Bottom View)



Pin No.	Pin Name
1	Vdd
2	GND
3	RFout
4	GND
5	RFIn
6	Vctl

### Ordering Information :

Part Number	Order Number	Package	Marking	Supplying Form
CKRF3003MM66-C2	CKRF3003MM66-C2	6-pin lead-less mini mold package	113	<ul style="list-style-type: none"><li>• Embossed tape 8 mm wide</li><li>• Pin 1, 6 face the perforation side of the tape</li><li>• Qty 9 Kpcs/reel</li></ul>

# PRELIMINARY DATA SHEET: CKRF3003MM66



## GNSS LOW NOISE AMPLIFIER

### Absolute Maximum Ratings :

Parameter	Symbol	Rating	Unit
Supply Voltage	Vdd	5.0 <sup>Note 1</sup>	V
Control Voltage	Vctl	5.0 <sup>Note 1</sup>	V
Input Power	P <sub>in</sub>	+10	dBm
Operating Ambient Temperature	T <sub>A</sub>	-40~+85	°C
Storage Temperature	T <sub>stg</sub>	-55~+150	°C

Note 1. Vctl ≤ Vdd

### Electrical Characteristics 1 (DC) :

(T<sub>A</sub>=+25°C, unless otherwise specified)

Parameter	Symbol	Condition	MIN.	TYP.	MAX.	Unit
Supply Voltage	Vdd		1.5	2.85	3.3	V
Control Voltage (ON)	Vctl (ON)		1.5	1.8	3.3	V
Control Voltage (OFF)	Vctl (OFF)		0	0	0.3	V
Supply Current1	Idd1	Active mode; Vdd=2.85V, Vctl=2.85V	-	6.7	9.0	mA
Supply Current2	Idd2	Active mode; Vdd=1.8V, Vctl=1.8V	-	6.7	9.0	mA
Supply Current3	Idd3	Stand-by mode; Vdd=2.85V, Vctl=0V	-	-	3	uA
Supply Current4	Idd4	Stand-by mode; Vdd=1.8V, Vctl=0V	-	-	3	uA
Control Current	Ictl	Vctl=2.85V	-	1	5	uA

# PRELIMINARY DATA SHEET: CKRF3003MM66



## GNSS LOW NOISE AMPLIFIER

### Electrical Characteristics 2 (RF) :

( $T_A=+25^{\circ}\text{C}$ ,  $V_{dd}=2.85\text{V}$ ,  $V_{ctl}=2.85\text{V}$ ,  $R_F=1575\text{MHz}$ ,  $Z_o=50\Omega$  with application circuit)

Parameter	Symbol	Condition	MIN.	TYP.	MAX.	Unit
Power Gain	Gain		---	17.0	---	dB
Noise Figure	NF	Exclude PCB and connector losses	---	0.6	---	dB
Input Return Loss	$RL_{in}$		---	21	---	dB
Output Return Loss	$RL_{out}$		---	14	---	dB
1dB Gain Compression Input Power	$P_{in(1dB)}$		---	-9	---	dBm
Input 3rd Order Intercept Point	IIP3	$f_1=f_{RF}$ , $f_2=f_1\pm 1\text{MHz}$ ; $P_{in}=-30\text{dBm}$	---	+4	---	dBm
Out of Band Input 3rd Order Intercept Point	IIP3_OB	$f_1 = 1712.7 \text{ MHz}$ ; $P_{in} = -20 \text{ dBm}$ $f_2 = 1851 \text{ MHz}$ ; $P_{in} = -20 \text{ dBm}$	---	TBD	---	dBm

### Electrical Characteristics 3 (RF) :

( $T_A=+25^{\circ}\text{C}$ ,  $V_{dd}=1.8\text{V}$ ,  $V_{ctl}=1.8\text{V}$ ,  $R_F=1575\text{MHz}$ ,  $Z_o=50\Omega$  with application circuit)

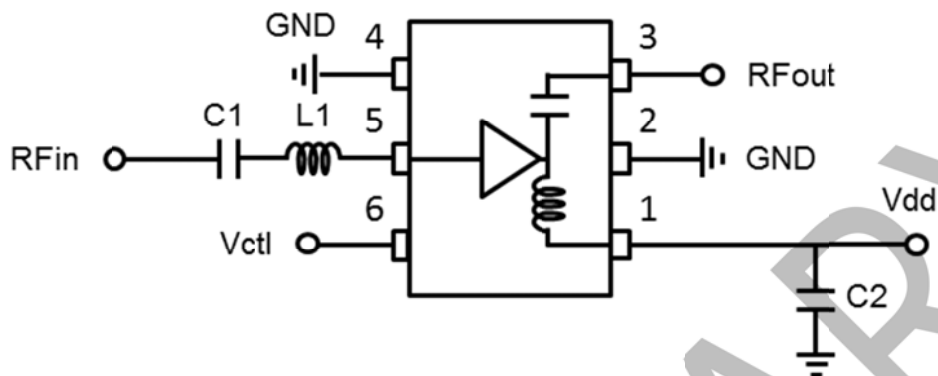
Parameter	Symbol	Condition	MIN.	TYP.	MAX.	Unit
Power Gain	Gain		---	17.0	---	dB
Noise Figure	NF	Exclude PCB and connector losses	---	0.6	---	dB
Input Return Loss	$RL_{in}$		---	21	---	dB
Output Return Loss	$RL_{out}$		---	14	---	dB
1dB Gain Compression Input Power	$P_{in(1dB)}$		---	-11	---	dBm
Input 3rd Order Intercept Point	IIP3	$f_1=f_{RF}$ , $f_2=f_1\pm 1\text{MHz}$ ; $P_{in}=-30\text{dBm}$	---	+4	---	dBm
Out of Band Input 3rd Order Intercept Point	IIP3_OB	$f_1 = 1712.7 \text{ MHz}$ ; $P_{in} = -20 \text{ dBm}$ $f_2 = 1851 \text{ MHz}$ ; $P_{in} = -20 \text{ dBm}$	---	TBD	---	dBm

# PRELIMINARY DATA SHEET: CKRF3003MM66



## GNSS LOW NOISE AMPLIFIER

### Application Circuit :



### Parts list

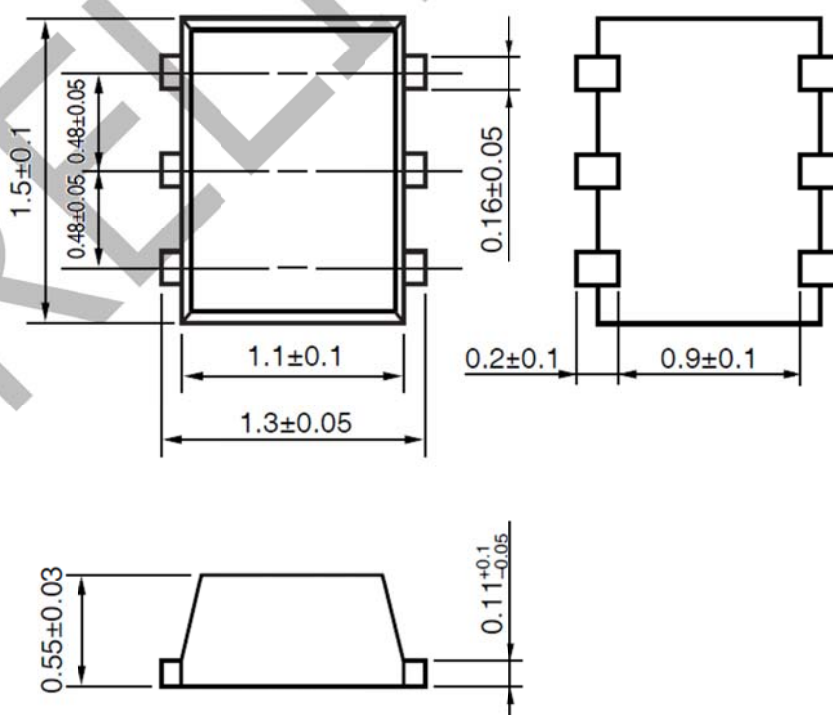
Name	Value	Manufacturer
C1	100 pF	Murata GRM15 Series
C2	1000 pF	Murata GRM15 Series
L1	8.2 nH	Murata LQW15A Series

### Package Dimensions :

Unit [mm]

(Top View)

(Bottom View)



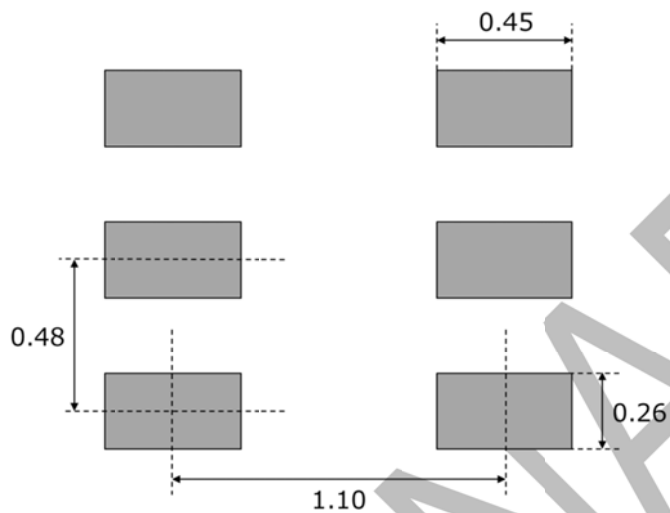
# PRELIMINARY DATA SHEET: CKRF3003MM66

## GNSS LOW NOISE AMPLIFIER



### PCB Layout Footprint :

6-PIN LEAD-LESS MINIMOLD (Unit : mm)



The PCB Layout Footprint in this document is for reference only.

### Application Note for GNSS L5 (1176.5MHz) Band Application

This application note presents the CKRF3003MM66 performance at GNSS L5 Band.

The performance of CKRF3003MM66 for GNSS L5 band application is shown in the following tables.

### Electrical Characteristics (DC) :

( $T_A = +25^\circ\text{C}$ , unless otherwise specified)

Parameter	Symbol	Condition	Value	Unit
Supply Voltage	Vdd		1.8/2.85	V
Control Voltage (ON)	Vctl (ON)		1.8/2.85	V
Control Voltage (OFF)	Vctl (OFF)		0	V
Supply Current1	Idd1	Active mode; Vdd=2.85V, Vctl=2.85V	6.7	mA
Supply Current2	Idd2	Active mode; Vdd=1.8V, Vctl=1.8V	6.7	mA
Control Current	Ictl	Vctl=2.85V	1	uA

### Electrical Characteristics (RF) :

( $T_A = +25^\circ\text{C}$ , Vdd=2.85V, Vctl=2.85V, RF=1176.5MHz, Zo=50Ω with application circuit)

Parameter	Symbol	Condition	Value	Unit
Power Gain	Gain		17.0	dB
Noise Figure	NF	Exclude PCB and connector losses	0.7	dB
Input Return Loss	RL <sub>in</sub>		21	dB
Output Return Loss	RL <sub>out</sub>		14	dB
1dB Gain Compression Input Power	P <sub>in(1dB)</sub>		-9	dBm
Input 3rd Order Intercept Point	IIP3	f1=f <sub>RF</sub> , f2=f1+/-1MHz; Pin=-30dBm	TBD	dBm

# PRELIMINARY DATA SHEET: CKRF3003MM66



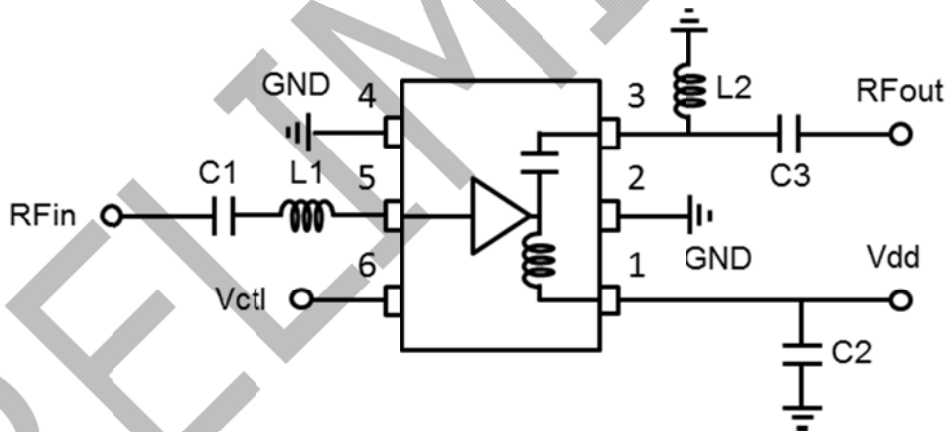
## GNSS LOW NOISE AMPLIFIER

### Electrical Characteristics (RF) :

( $T_A=+25^{\circ}\text{C}$ ,  $V_{dd}=1.8\text{V}$ ,  $V_{ctl}=1.8\text{V}$ ,  $R_F=1176.5\text{MHz}$ ,  $Z_o=50\Omega$  with application circuit)

Parameter	Symbol	Condition	TYP.	Unit
Power Gain	Gain		17.0	dB
Noise Figure	NF	Exclude PCB and connector losses	0.7	dB
Input Return Loss	$RL_{in}$		21	dB
Output Return Loss	$RL_{out}$		14	dB
1dB Gain Compression Input Power	$P_{in(1dB)}$		-11	dBm
Input 3rd Order Intercept Point	IIP3	$f_1=f_{RF}$ , $f_2=f_1\pm 1\text{MHz}$ ; $P_{in}=-30\text{dBm}$	TBD	dBm

### Application Circuit :



### Parts list

Name	Value	Manufacturer
C1	100 pF	Murata GRM15 Series
C2	1000 pF	Murata GRM15 Series
L1	15 nH	Murata LQW15A Series
L2	3.9 nH	Murata LQW15A Series
C3	1.8 pF	Murata GRM15 Series

# PRELIMINARY DATA SHEET: CKRF3003MM66

## GNSS LOW NOISE AMPLIFIER



### [CAUTION]

- All information included in this document is current as of the date this document is issued. Such information, however, is subject to change without any prior notice.
- You should not alter, modify, copy, or otherwise misappropriate any CDK product, whether in whole or in part.
- CDK does not assume any liability for infringement of patents, copyrights, or other intellectual property rights of third parties by or arising from the use of CDK products or technical information described in this document. No license, express, implied or otherwise, is granted hereby under any patents, copyrights or other intellectual property rights of CDK or others.
- Descriptions of circuits, software and other related information in this document are provided only to illustrate the operation of semiconductor products and application examples. You are fully responsible for the incorporation of these circuits, software, and information in the design of your equipment. CDK assumes no responsibility for any losses incurred by you or third parties arising from the use of these circuits, software, or information.
- CDK has used reasonable care in preparing the information included in this document, but CDK does not warrant that such information is error free. CDK assumes no liability whatsoever for any damages incurred by you resulting from errors in or omissions from the information included herein.
- Although CDK endeavors to improve the quality and reliability of its products, semiconductor products have specific characteristics such as the occurrence of failure at a certain rate and malfunctions under certain use conditions. Please be sure to implement safety measures to guard them against the possibility of physical injury, and injury or damage caused by fire in the event of the failure of a CDK product, such as safety design for hardware and software including but not limited to redundancy, fire control and malfunction prevention, appropriate treatment for aging degradation or any other appropriate measures  
Because the evaluation of microcomputer software alone is very difficult, please evaluate the safety of the final products or system manufactured by you.
- Please use CDK products in compliance with all applicable laws and regulations that regulate the inclusion or use of controlled substances, including without limitation, the EU RoHS Directive.  
CDK assumes no liability for damages or losses occurring as a result of your noncompliance with applicable laws and regulations.
- This document may not be reproduced or duplicated, in any form, in whole or in part, without prior written consent of CDK.
- Please contact a CDK if you have any questions regarding the information contained in this document or CDK products, or if you have any other inquiries.



# PRELIMINARY DATA SHEET: CKRF3003MM66



## GNSS LOW NOISE AMPLIFIER

---

[Caution in the gallium arsenide (GaAs) product handling]

This product uses gallium arsenide (GaAs) of the toxic substance appointed in laws and ordinances. GaAs vapor and powder are hazardous to human health if inhaled or ingested.

- Do not dispose in fire or break up this product.
- Do not chemically make gas or powder with this product.
- When discard this product, please obey the law of your country.
- Do not lick the product or in any way allow it to enter the mouth.

[CAUTION]

Although this device is designed to be as robust as possible, ESD (Electrostatic Discharge) can damage this device. This device must be protected at all times from ESD. Static charges may easily produce potentials of several kilovolts on the human body or equipment, which can discharge without detection. Industry-standard ESD precautions should be used at all times.

CHUO DENSHI KOGYO CO., LTD  
3400 Kooyama, Matsubase, Uki-City,  
Kumamoto 869-0512, Japan  
Tel : +81-964-32-2730  
Fax : +81-964-32-3549  
URL : <http://www.en.cdk.co.jp/>

---

Contact info for inquiries  
Electronic Devices Division Sales and Planning Department  
Tel : +81-964-32-2750  
E-mail : [info@cdk.co.jp](mailto:info@cdk.co.jp)  
FAX : +81-964-32-3549

---